

NZ2HS-2131 (ORDER NO. 090146)

Safety switch NZ.HS, lever arm with steel roller, plug connector SR11

- ▶ Version A according to EN 50041(steel roller \varnothing 18 mm)
- ▶ Plug connector SR11



Description

Approach direction



Figure

Horizontal

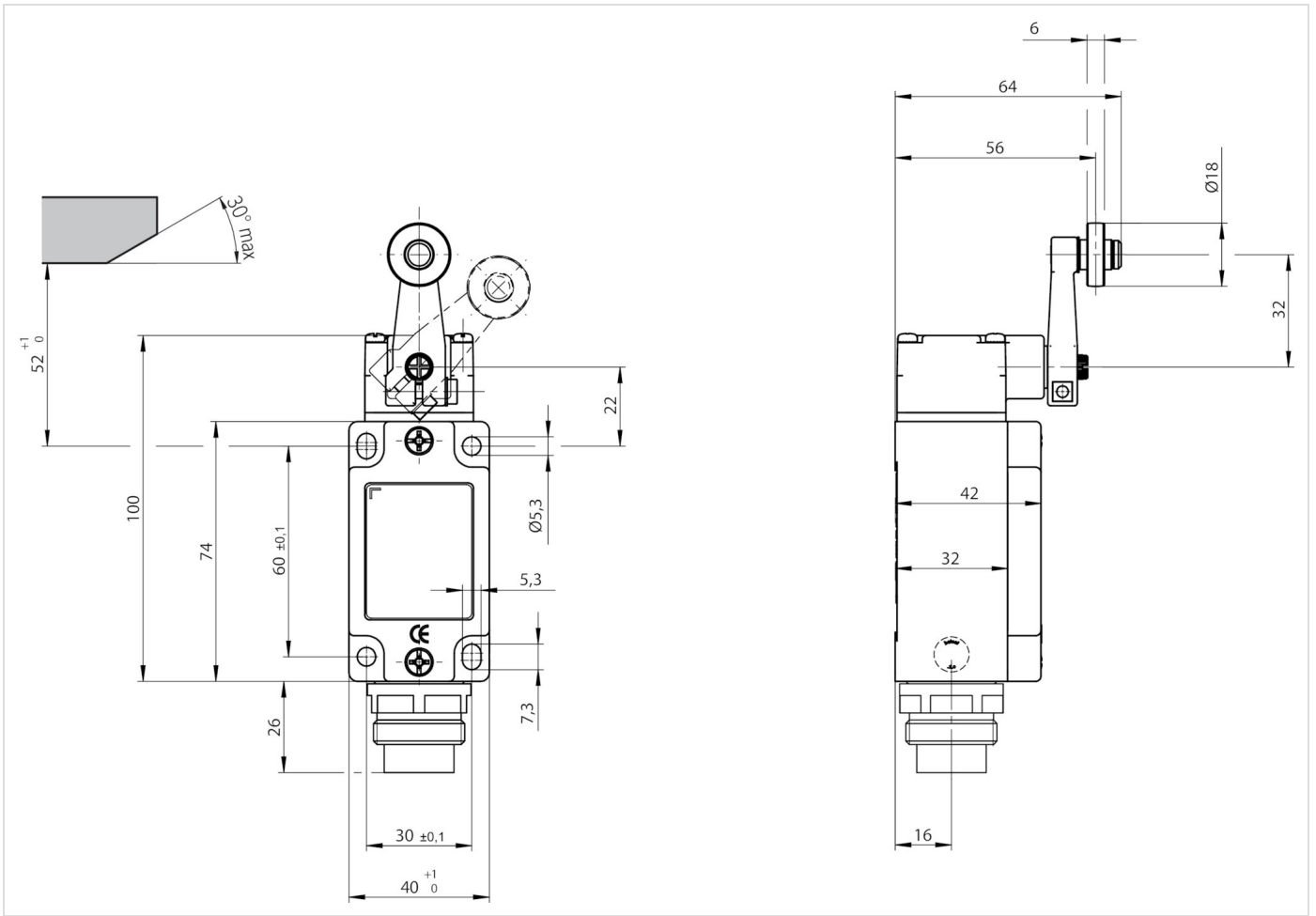
switching direction

- ▶ Right, left or both sides

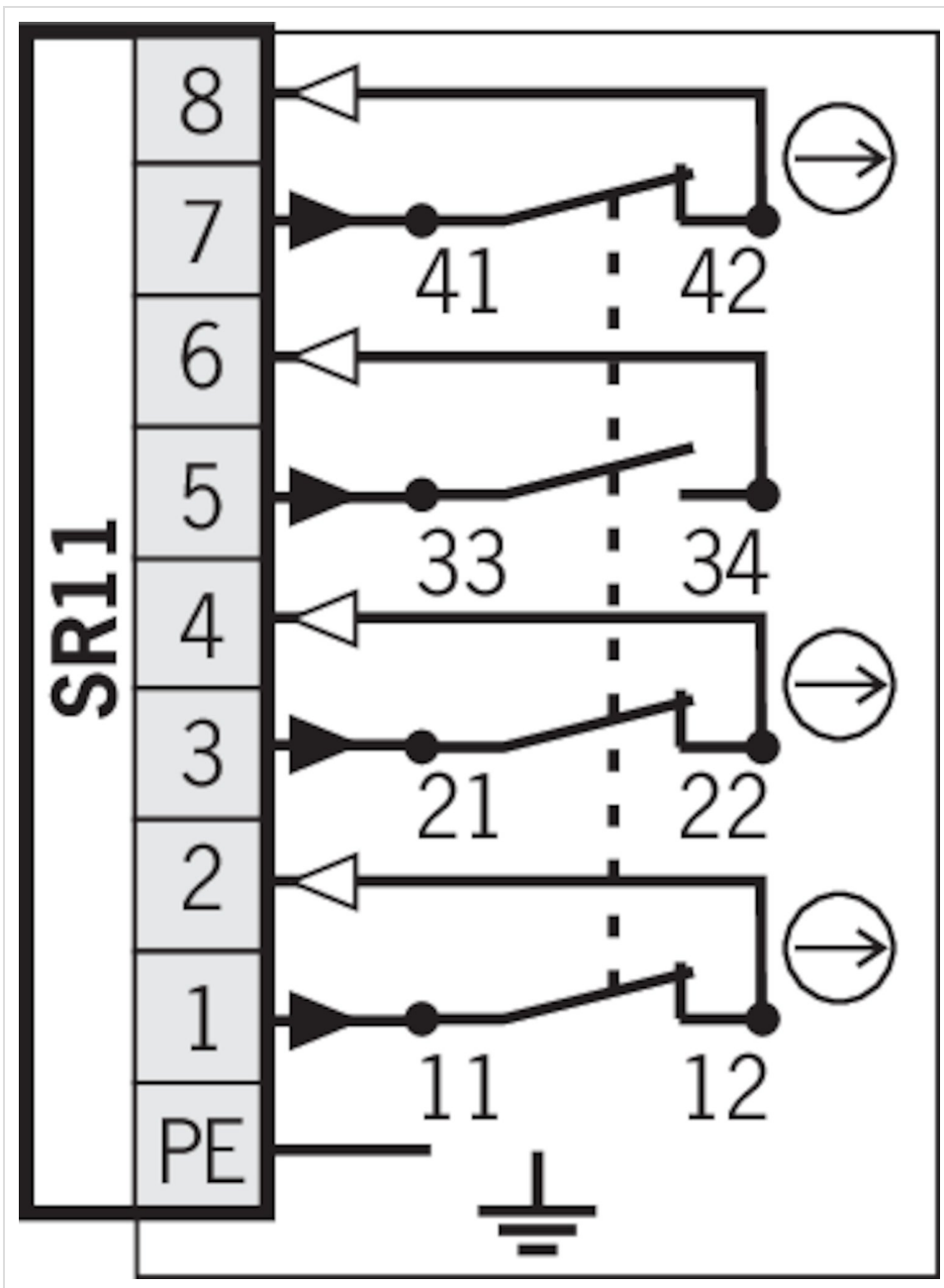
Switching element

2131H Slow-action switching contact 3 NC \rightarrow + 1 NO

Dimension drawing



2131H



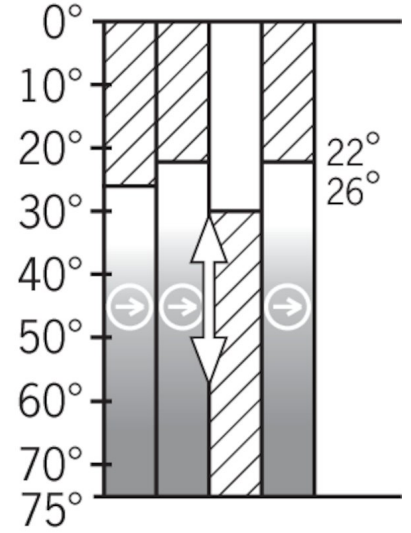
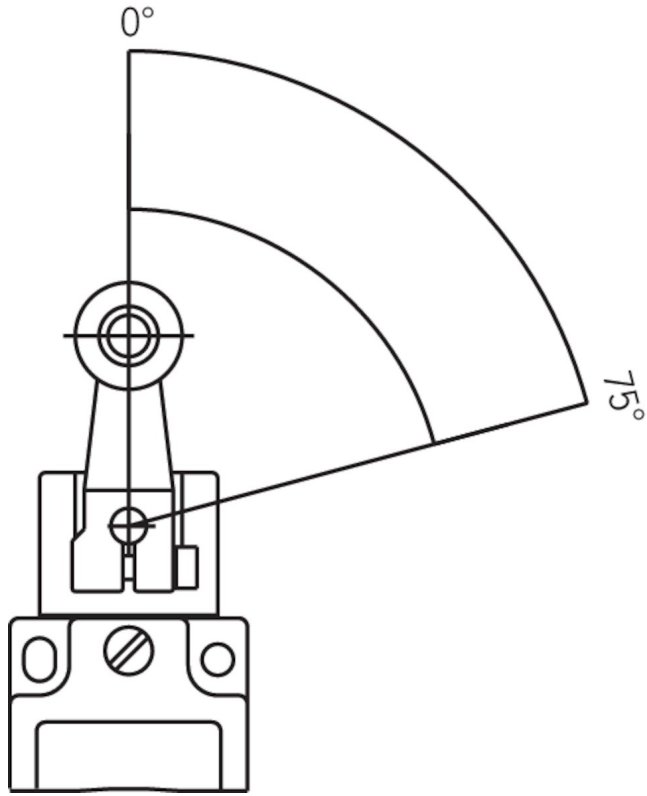
Travel diagram

NZ...HS
NZ...HB

2131H



11-12 21-22 33-34 41-42



- Contacts closed
- Contacts open
- Contacts positively driven

Technical data

Approvals



Mechanical values and environment

Housing material	Housing	Anodized die-cast alloy
Weight	Net	0,3 kg
Ambient temperature		-25 ... 80 °C
Degree of protection		IP65
Mechanical life		30 x 10 ⁶
Contact material		Silver alloy, gold flashed
Switching principle		Slow-action switching contact
Installation orientation		Any
Number of door position positively driven contacts		3
Number of NO contacts		1
Connection	1 x	Plug connector SR11 (11-pin + PE)
Approach speed		0,1 ... 60 m/min
Actuating element	Plain bearing metal	Lever arm (d roller = 18 mm, length 32 mm)
Actuating force		min.15 N

Electrical connection ratings

Thermal rated current I_{th}		4 A
Utilization category acc. to EN 60947-5-1	AC-15	4A 50V
	DC-13	4A 24V
Short circuit protection according to IEC 60269-1		4A gG
Rated insulation voltage U_i		50 V
Rated impulse withstand voltage U_{imp}		1,5 kV
Switching current	Min. at DC 24V	1 mA

Reliability values according to EN ISO 13849-1

	Monitoring of the safety guard position	
B10 _D		20 x 10 ⁶

Accessories

Connection material

Connection cable with plug connector SR11, 5m



077629
C-M26F12-12X1,00PU05,0-MA-
077629

- ▶ Female plug SR11, 11-pin + PE
- ▶ Straight plug connector
- ▶ PUR cable
- ▶ Cable length 5 m
- ▶ With flying lead

Connection cable with plug connector SR11, 5m, angled



077635
C-M26F12-12X1,0PU05,0-MA-077635

- ▶ Female plug SR11, 11-pin + PE
- ▶ Angled plug connector



- ▶ PUR cable
- ▶ Cable length 5 m
- ▶ With flying lead

Connection cable with plug connector SR11, 10m



077630
C-M26F12-12X1,00PU10,0-MA-077630

- ▶ Female plug SR11, 11-pin + PE
- ▶ Straight plug connector
- ▶ PUR cable
- ▶ Cable length 10 m
- ▶ With flying lead

Connection cable with plug connector SR11, 10m, angled



077636
C-M26F12-12X1,0PU10,0-MA-077636

- ▶ Female plug SR11, 11-pin + PE
- ▶ Angled plug connector
- ▶ PUR cable
- ▶ Cable length 10 m
- ▶ With flying lead

Connection cable with plug connector SR11, 15m



077631
C-M26F12-12X1,00PU15,0-MA-077631

- ▶ Female plug SR11, 11-pin + PE
- ▶ Straight plug connector
- ▶ PUR cable
- ▶ Cable length 15 m
- ▶ With flying lead

Connection cable with plug connector SR11, 15m, angled



077637
C-M26F12-12X1,0PU15,0-MA-077637

- ▶ Female plug SR11, 11-pin + PE
- ▶ Angled plug connector
- ▶ PUR cable
- ▶ Cable length 15 m
- ▶ With flying lead

Connection cable with plug connector SR11, 20m



096632
C-M26F12-12X1,0PU20,0-MA-096632

- ▶ Female plug SR11, 11-pin + PE
- ▶ Straight plug connector
- ▶ PUR cable
- ▶ Cable length 20 m
- ▶ With flying lead

Connection cable with plug connector SR11, 25m



094749
C-M26F12-12X1,0PU25,0-MA-094749

- ▶ Female plug SR11, 11-pin + PE
- ▶ Straight plug connector
- ▶ PUR cable
- ▶ Cable length 25 m
- ▶ With flying lead

Plug connector SR11 for safety switches NZ and TZ

070859
SR11EF

- ▶ Crimp contacts
- ▶ Cable optional
- ▶ Coding shells

054773
SR11WF

- ▶ Crimp contacts
- ▶ 90° angled optional
- ▶ Cable optional
- ▶ Coding shells

091296
SR11AM2-M20

- ▶ Crimp contacts
- ▶ Cable optional
- ▶ Coding shells

Spare parts

Lever arm with steel roller



012043
NHS ROLLENHEBEL

- ▶ Steel roller Ø18 mm

Contacts

🏠 EUCHNER GmbH + Co. KG
Kohlhammerstraße 16
70771 Leinfelden-Echterdingen

☎ +49 711 7597-0

📠 +49 711 753316

✉ info(at)euchner.de